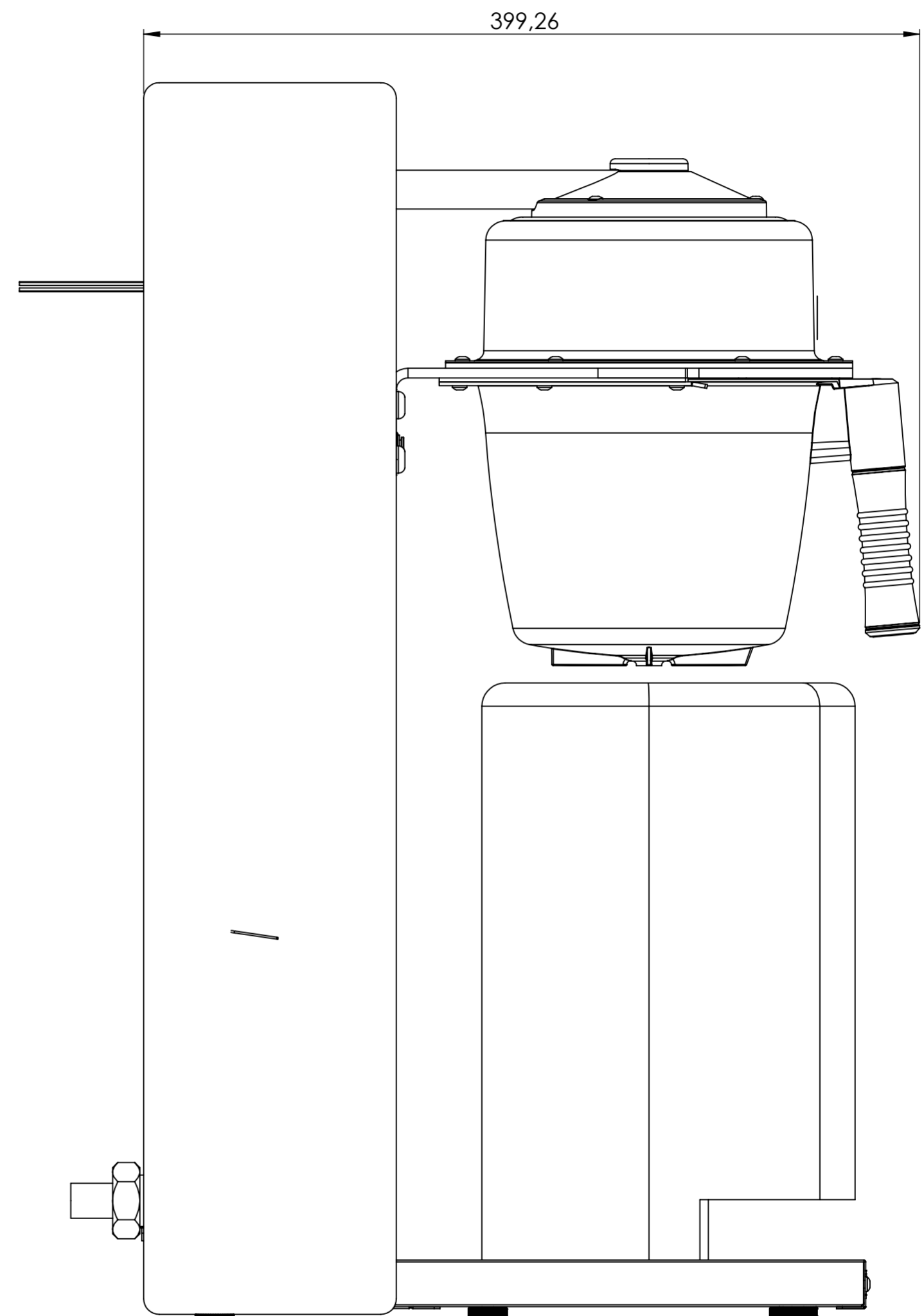
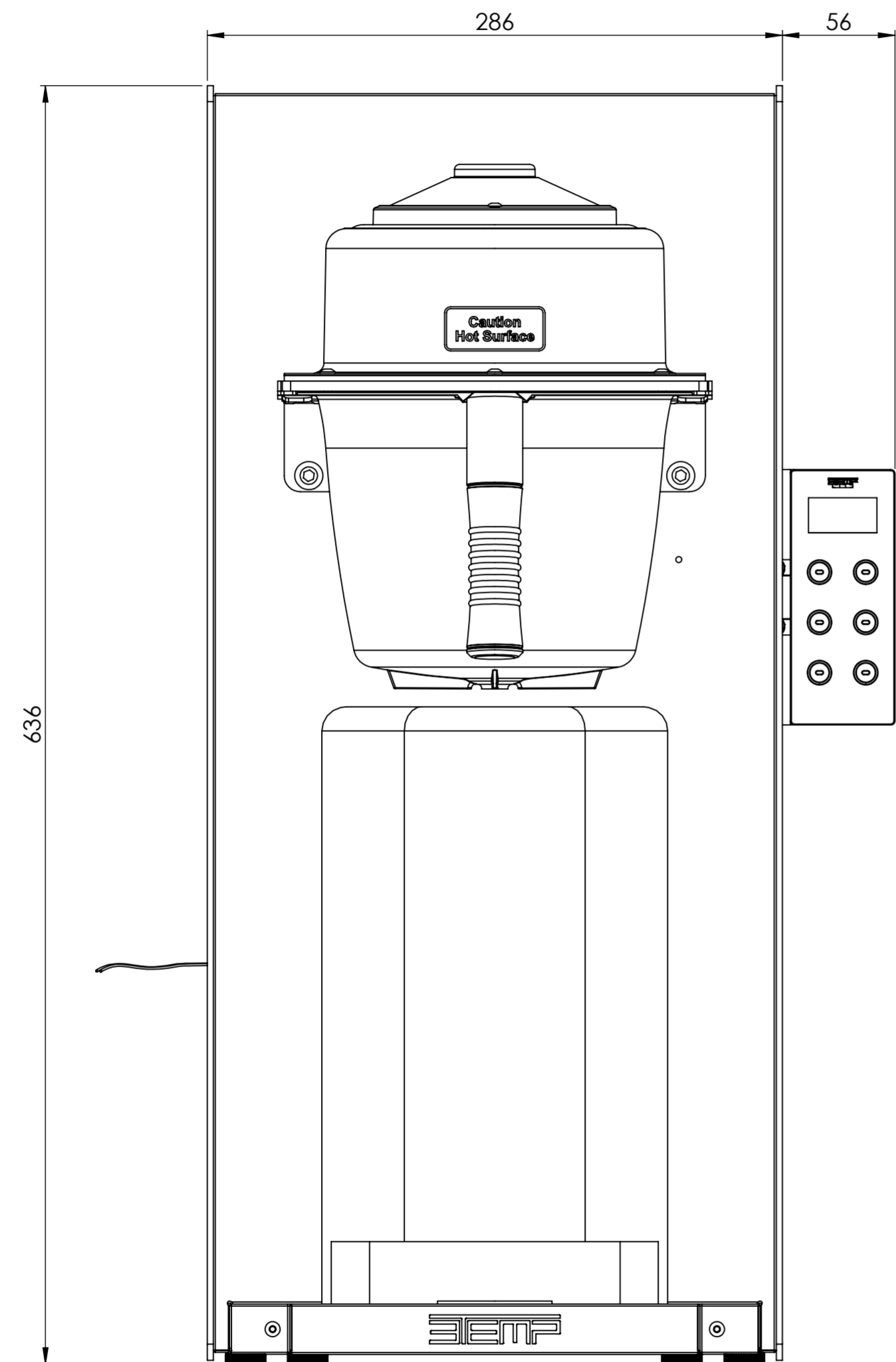


Tolerance ISO SS 2768-m

0,5 - 3 mm	±0.1
>3 - 6 mm	±0.1
>6- 30 mm	±0.2
>30- 120 mm	±0.3
>120- 400 mm	±0.5
>400- 1000 mm	±0.8
>1000- 2000 mm	±1.2



Latest Rev:	Description:	Date:
MATERIAL:		SCALE:1:2.5
NAME	SIGNATURE	DATE
DRAWN		
APPVD		
Q.A		
TITLE:		DO NOT SCALE DRAWING
PULS DIMENSIONS		
PART NO.		A2
300307-01		SHEET 2 OF 2

